

**DS-MH2311(C)  
Body Camera**

- 2K recording.
- Max. 40 M (8832 × 4960) resolution of the captured picture.
- Transmits videos to central video platform via 4G wireless communication.
- GPS positioning module, uploading the location information to the center in real time.
- IR function to recognize the facial features in the captured picture even in dim environment.
- Waterproof, dustproof, and anti-fall with 1.8 m fall protection height, applicable to all-day field work.
- 3G/4G/Wi-Fi network connection with flexible wireless transmission.

## ▪ Specification

CPU	
CPU	8 cores, 64 bit, Main frequency: 1.8 GHz
Camera	
Image Sensor	1/3" progressive scan CMOS
Max. Recording Resolution	2688 × 1512
Min. Illumination	Color: 0.15 Lux @ (F2.0, AGC ON), 0 Lux with supplement light
Day & Night	Switch IR cut filter automatically
Zoom	4× digital
White Light	Supported
Lens	
Focal Length	2.4 mm fixed lens
FOV	Horizontal FOV: 134°, Vertical FOV: 75°, Diagonal FOV: 154°
Aperture	F2.0
Video	
Video Compression	H.264, H.265
Video Format	MP4, PS
Main Stream	60 Hz: 30 fps (2688 × 1512, 1920 × 1080, 1280 × 720, 720 × 576)
Sub-Stream	30 fps (1920 × 1080, 1280 × 720, 720 × 576)
Pre-record & Post-record	Pre-record: 60/10/5/3 s, Post-record: 60/10/5/3 s
Audio	
Audio Compression for Video Recording	AAC,G722
Audio Compression for Audio Recording	PCM
Audio Compression for Group Intercom	G711.A, G711.U, G722
Audio Bit Rate	G722 (16 kbps), AAC (dynamic), PCM (256 kbps), G711.A (64 kbps), G711.U (64 kbps)
Image	
Image Format	JPEG
Image Resolution	5 MP, 16 MP, 30 MP, 40 MP
Image Stabilization Algorithm	
Image Stabilization Algorithm	GIS: optional
Screen	
Display Resolution	320 × 240
Screen Size	2.4"
Touchscreen	Supported
Screen Brightness	Typical value: 520 cd/m <sup>2</sup>
Storage	
RAM	2 GB

ROM	32 GB by default, 64/128/256 GB optional
<b>IR</b>	
IR Range	Up to 10 m
IR Wavelength	850 nm
<b>Wireless Network</b>	
Bluetooth	BT4.2
Wi-Fi Protocol	802.11 a/b/g/n/ac
Wi-Fi Frequency Band	2.412 to 2.472 GHz, 5.15 to 5.25 GHz, 5.725 to 5.875 GHz
Cellular Network	Only available for models with /GLE: GSM: 850/900/1800/1900 WCDMA: B1/B8 FDD - LTE: B1/B2/B3/B4/B5/B7/B8/B20/B28 TDD -LTE: B38/B39/B40/B41
Positioning Mode	GPS
NFC	Optional
<b>Network</b>	
Protocol	HTTPS, RTSP, NTP, FTP
API	ISAPI, SDK, ISUP
<b>Security</b>	
Encryption	AES128, AES256
Watermark	Supported
<b>Interface</b>	
Indicator	2 indicator(s) for charging/working/recording/exception
Button	Power, Video recording, SOS, PTT, Picture capture, Audio recording
SIM Card	SIM card slot (fit for nano-SIM card)
Charging Interface	Mini USB, Pogo Pin
USB	1 USB 2.0 port(s)
Laser Positioning	Supported
<b>Smart Functions</b>	
Face Picture Recognition	Optional
Face Picture Capture	Supported
License Plate Recognition	Optional
<b>Event</b>	
Basic Event	SOS alarm
<b>Group Intercom</b>	
Group Intercom	Supported for firmware version V2.6.0 or above
<b>General</b>	
Operating Condition	- 20 °C to 55 °C (- 4 °F to 131 °F). Humidity 95% or less (non-condensing)
Power	5 V DC, 2.0 A, max. 10 W
Dimensions	95 mm × 60 mm × 31.5 mm (3.7" × 2.4" × 1.2")
Weight	190 g (without mounting) (0.4 lb.)
Operating System	Android 9.0
Client	Hik-Connect, HikCentral Pro, HikCentral Master
MIC	Supported
Speaker	1 built-in speaker(s), max. power consumption: 1 W, max. sound pressure level: 92 dB (10 cm)
Vibration Motor	Not supported
Gyroscope	Optional

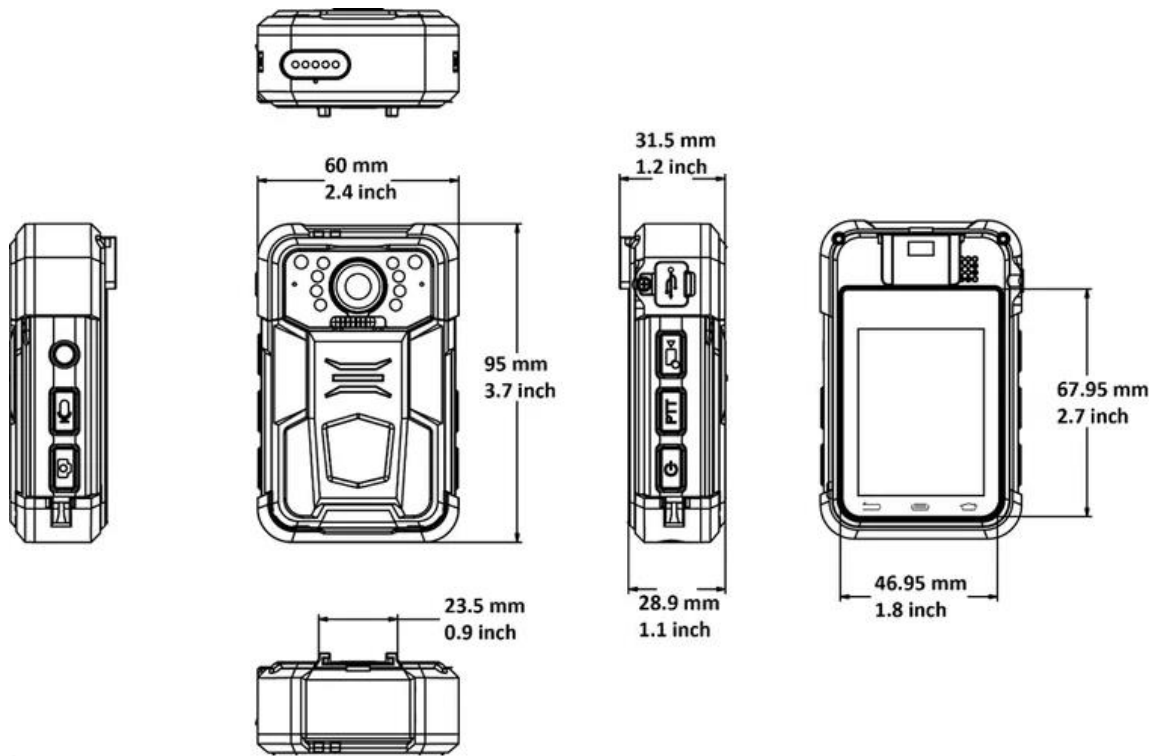
<b>Battery</b>	
Battery Type	Lithium-ion battery, dismountable
Capacity	3300 mAh
Charging Time	≤ 4 h
Battery Duration	Up to 12 h in 720p resolution <sup>1</sup>
<b>Approval</b>	
RF	EN 300 328 V2.1.1 (BT or 2.4G), EN 62311: 2008 (BT or 2.4G), EN 55032: 2015, EN 61000-3-2: 2014, EN 61000-3-3: 2013, EN 50130-4: 2011 + A1: 2014)
EMC	CE-EMC: EN 55032: 2015, EN 61000-3-2: 2019, EN 61000-3-3: 2013, EN 50130-4: 2011 + A1: 2014
Safety	CB: IEC 62368-1: 2014 + A11, IEC 62368-1: 2018, CE-LVD: EN 62368-1: 2014/A11: 2017, EN IEC 62368-1: 2020 + A11: 2020, CE-LVD: EN 62368-1: 2014/A11: 2017
Environment	CE-RoHS: 2011/65/EU, WEEE: 2012/19/EU, Reach: Regulation (EC) No 1907/2006
Protection	IP67: IEC 60529-2013
<b>Drop Test</b>	
Drop Test	MIL-STD-810G, 2 m drop test
<b>Warranty</b>	
Warranty	2 years for the device without battery, 1 year for the battery

<sup>1</sup>: This is a basic estimation of battery working life only when recording is on. Additional power consumption should be considered when IR, GPS, and/or network connection is on.

#### ▪ Available Model

DS-MH2311/32G/GLE(C)

▪ Dimension



▪ **Accessory**

▪ **Included**



▪ **Optional**

<p><b>DS-MH1721</b> <b>Oblique Shoulder</b> <b>Harness</b></p>	<p><b>DS-MH1412-N1</b> <b>6 Ports Body Camera</b> <b>Charge Cradle</b></p>	<p><b>DS-MH1712</b> <b>Clip of Body</b> <b>Camera</b></p>	<p><b>DS-MH1717</b> <b>Body Camera -</b> <b>Magnetic Clip</b></p>	<p><b>DS-MH1716</b> <b>Body Camera -</b> <b>Alligator Clip</b></p>
				
<p><b>DS-MH1715</b> <b>Body Camera -</b> <b>Wearable Clip</b></p>				

# See Far, Go Further



[www.hikvision.com](http://www.hikvision.com)  
[support@hikvision.com](mailto:support@hikvision.com)

