

OCR310-MC7m OCR and MSR Snap-On Accessory

A snap-on accessory for the Motorola™ MC70, MC75 and MC75A providing OCR and MSR reading capability

Description

Access' OCR310-MC7m snap-on accessory provides optical character recognition (OCR) and magnetic swipe (MSR) reader capability for Motorola™ MC70, MC75 and MC75A mobile computers. Simply by attaching to the heel of the Motorola device, the unit is fully functional.

Careful power management within the adapter minimises the units power consumption and maximises time between return-to-base charging.

The OCR reading functionality captures code lines reliably from machine readable documents including passports (MRP), visas (MRV) and OCRB encoded cards such as the US Resident Alien card and European national ID cards all conforming to ICAO 9303 standards. In addition, APACS debit and credit documents can be read (APACS standards 3.1 and 3.2, respectively), together with E13B, OCRB and mixed E13B and OCRB fonts. Red and green LEDs and an audible sounder provide a clear indication of a good or bad read.

The MSR is capable of reading magnetic stripe cards which allows the adapter to read a number of magnetic media including loyalty and credit cards conforming to ISO7811/2-5 and ATB2 travel documents.



OCR310-MC7m OCR and MSR snap-on connected to the Motorola device

Applications

- Queue busting at airport check-in
- Police identification-checking
- Security checks at airport boarding gates
- AQQ, e-borders and APIS generation

Features

- Combined OCR and magnetic swipe card (MSR) reading
- Good and bad read indicators and buzzer
- Low power consumption and sleep mode
- Power via docking station
- Rapid and accurate decoding using Access' established OCR and MSR decoding technology
- Bidirectional read



The OCR310-MC7m reading an ID card

Access IS
18 Suttons Business Park
Reading, Berkshire
RG6 1AZ, United Kingdom
Tel: +44 (0) 118 966 3333
Fax: +44 (0) 118 926 7281

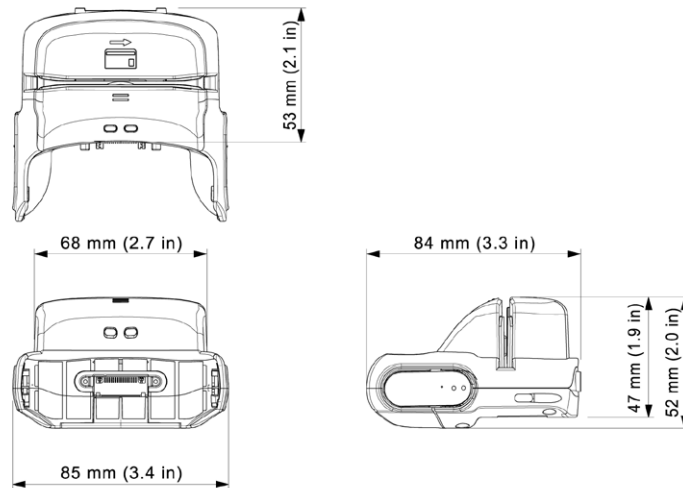
Access (North America) inc
PO Box 2569, Peachtree City
Georgia 30269-2569
USA
Tel: +1-770-631-8425
Fax: +1-678-364-8856

Access IS
Interfacing Solutions

For further information email: sales@access-is.com or visit our website: www.access-is.com

All trademarks acknowledged. Specifications subject to change without prior notice. This literature is for outline information only.

Dimensions



OCR310-MC7m Snap-On Accessory Document Reader

Specifications

OCR Read Capabilities

Machine readable passports (MRP) :
2 lines of 44 characters

Machine readable visas (MRV) :
2 lines of 44 characters, 2 lines of 36 characters

Travel documents: 2 lines of 36 characters, 3 lines of 30 characters

Standard OCR fonts: OCR-B and E13B

Magnetic Swipe Reader

Reads magnetic cards complying with ISO7811/ 2-5

General and Mechanical

Overall dimension:
84L x 85W x 52H mm
(3.3L x 3.4W x 2.0H in)

Weight: 104 g (3.7 oz)

Housing: High-impact plastic

Slot width: >1.0 mm (>0.04 in)

Reading swipe speed (OCR & MSR):
25 cm/second (10 inches/second)

Magnetic head life: >500K swipes

Operator Interfaces

Power up: Momentary flash of green and red LEDs

Good read: Illumination of green LED and beep from sounder

Bad read: Illumination of red LED and beep from sounder

Compatible Devices

Motorola MC70, MC75 & MC75A mobile computers

Connection and Interfaces

Interface to terminal: Serial, RS-232 baud rate 9600, 8 bit, 1 stop, no parity

Standard Motorola MC70, MC75 and MC75A compliant USB interface

Electrical

Input voltage: Host powered, active current 30 mA

Environmental

Immunity: EN55024: 1998 +A1: 2001 +A2: 2003

Electrostatic discharge: ±15 kV air discharge, ±8 kV direct discharge

Drop specification: 5ft drop to concrete over operating temperature; 2 drops per 6 sides

Tumble specification: 1,000 1.6 ft./0.5 m tumbles (2,000 drops)

Humidity: 5% to 95% non-condensing

Operating temperature: -20°C to 50°C

Storage temperature: -40°C to 60°C

Ingress protection: IP54

Approvals

Safety: EN 60950-1, IEC 60950-1, UL 60950-1 (CB certificate with national deviations for UK/Europe and North America)

RFI/EMI: FCC Part 15 Class B, ICES 003 Class B, EN55022 Class B, EN55024 Class B

Product is RoHS compliant

Ver: 1.1 November 2010

Access IS
18 Suttons Business Park
Reading, Berkshire
RG6 1AZ, United Kingdom
Tel: +44 (0) 118 966 3333
Fax: +44 (0) 118 926 7281

Access (North America) inc
PO Box 2569, Peachtree City
Georgia 30269-2569
USA
Tel: +1-770-631-8425
Fax: +1-678-364-8856

Access IS
Interfacing Solutions