

ACR7x Series Magnetic Stripe Card Reader

Access' ACR7x family provides magnetic card reading with USB interface

Description

The ACR75 and ACR76 magnetic stripe card readers are manual swipe readers of high and low coercivity magnetic cards. Intuitive to use, the ACR7x magnetic stripe readers (MSRs) read high or low coercivity magnetic cards in either swipe direction.

The ACR75 communicates as a USB Keyboard device and does not usually require a device driver to be installed. Configuration settings can be programmed and downloaded using Access IS SoftProg utility and stored within the reader. Header and terminators and data track selection and options to configure transmission of Start and Stop Sentinels and LRC data elements can be set.

The ACR76 installs with a Windows device driver. The driver interface allows users to choose data format as keyboard or serial data. In addition parsing options can be configured to allow specific fields of data to be tested and conditional output formatting or data extraction rules to be set. The rules are stored as a registry key allowing an easy method for upgrade and for distribution on a large scale.

Features

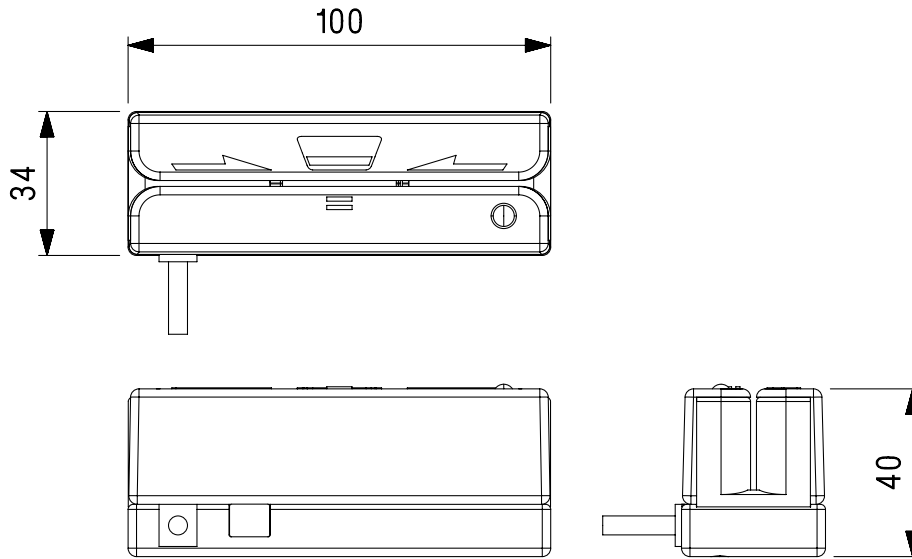
- USB interface
- Software configurable
- LED indication of read status
- Compact design
- Bidirectional swipe
- Optional mounting brackets enabling readers to be mounted at almost any angle

Applications

- Point of sale credit and debit card transactions
- Access control and time management
- Loyalty schemes
- Club or library membership management
- Computer security.



Dimensions



Specifications

Performance

Card type : magnetic cards per ISO7810, ISO7811

Read capability: magnetic stripe 1, 2 or 3 track of low or high coercivity (300 - 4000 Oe)

Card thickness: 0.78 - 1.2 mm

Swipe speed: 5 to 55 inches/second

Read error rate: <0.5%

Magnetic head life: >500,000 swipe operations

General

Colour: Black

Dimension: 100L x 34W x 28H mm

Weight: 120 g

Cable length: 1.75 m

Interfaces

Host interface: USB 1.1

Electrical specifications

Power requirement: +5 VDC (+/-10%)

Current consumption: 35 mA max

Environmental

Operating temperature: -10°C to 55°C

Storage temperature: -30°C to 70°C

Approvals

Safety: EN60950

RF/EMI: EN55024, EN 55022 Class B, FCC Part 15, Subpart B, class A, BSMI EMC

Ordering Information

Keyboard Output: ACR75ABN2

HID Output: ACR76BN2

All trademarks acknowledged. Specifications subject to change without prior notice. This literature is for outline information only.

Ver: 2.1 Sept 2016



Worldwide: +44 (0) 118 966 3333
Americas: +1 770-645-2771



Worldwide: +44 (0) 118 966 3333
Americas: +1 703-403-6848



Worldwide: +44 (0) 118 966 3333
Americas: +44 118-966-3333



email: sales@access-is.com
18 Suttons Business Park • Reading • RG6 1AZ • UK